

Change Notice

FT Series

Discontinuation & Replacement of Controller Boards for FT Series Touch Screens

Type of Change:

- Engineering Part Number
- Product Appearance

| Discontinued Products | Alternate Product |
|-----------------------|-------------------|
| FTCS04A | FTCS04B |
| FTCS04A2 | |

The 4-wire analog FT Series Touch Screens Controller Boards for RS232C will be replaced. FTCS04A and FTCS04A2 will be discontinued, and FTCS04B will be the alternate. This change will apply to standard and custom controller boards. The alternate board's specifications are compared on the following tables, and dimensions are on page 2.

| General Specifications Comparison | | |
|-----------------------------------|--|--|
| Items | FTCS04A & FTCS04A2 (Discontinued) | FTCS04B (Alternate) |
| Interface | RS232C | RS232C |
| Clock | 10MHz | 6MHz |
| Supply Voltage | 5.0V | 5.0V |
| Resolution | 10bit | 10bit |
| Current Consumption | 40mA maximum | 40mA maximum |
| Communication Speed | *1200, 2400, 4800, 9600, 19,200 bps (Standard is 9600 bps) | 9600 bps |
| Communication Format | Data Length: 8bit Parity: None, Odd Number, Even Number Stop Bit: 1, 2 | Data Length: 8bit Parity: None Stop Bit: 1 |

*Applies to FTCS04A only; may be changed by commanding from host on FTCS04A2

Absolute Maximum Ratings

| Items | Symbols | FTCS04A & FTCS04A2 | | FTCS04B | |
|-----------------------|------------------|--------------------|-----------------------|----------------|-----------------|
| | | Min | Max | Min | Max |
| Supply Voltage | V _{CC} | -0.3V | +6.0V | -0.3V | +5.5V |
| Input Voltage | V _{TP} | — | V _{CC} +0.3V | — | V _{CC} |
| | V _{RS} | -25V | +25V | -15V | +15V |
| Operating Temperature | T _{OPR} | 0°C +32°F | +70°C +158°F | 0°C +32°F | +70°C +158°F |
| Storage Temperature | T _{STG} | -25°C -13°F | +85°C +185°F | -25°C -13°F | +85°C +185°F |

Recommended Values

| Items | Symbols | FTCS04A & FTCS04A2 | | | FTCS04B | | |
|-----------------------|------------------|--------------------|-------|-----------------|--------------|-------|-----------------|
| | | Min | Typ | Max | Min | Typ | Max |
| Supply Voltage | V _{CC} | +4.5V | +5.0V | +5.5V | +4.75V | +5.0V | +5.25V |
| Operating Temperature | T _{OPR} | 0°C +32°F | — | +70°C +158°F | 0°C +32°F | — | +70°C +158°F |

Notes

A different device driver and operating system are required to use with the alternate controller board. When selecting to use the alternate controller board, consult the NKK catalog or web site for more information. Contact NKK Switches if more details are needed.

Effective Date

The FTCS04B Controller Board will replace FTCS04A and FTCS04A2 Controller Boards effective September 28, 2018.

NKK SWITCHES CO., LTD. <http://www.nkk.com> E-mail: nkkswitches@nkkswitches.co.jp

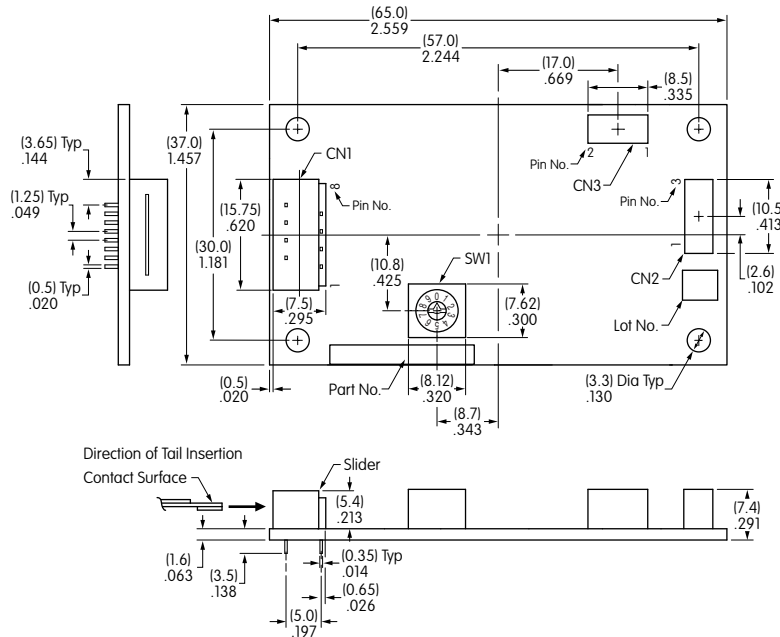
715-1 Unane, Takatsu-ku, Kawasaki-shi, 213-8553 Japan TEL: +81 44 813 8001 FAX: +81 44 813 8031

Change Notice

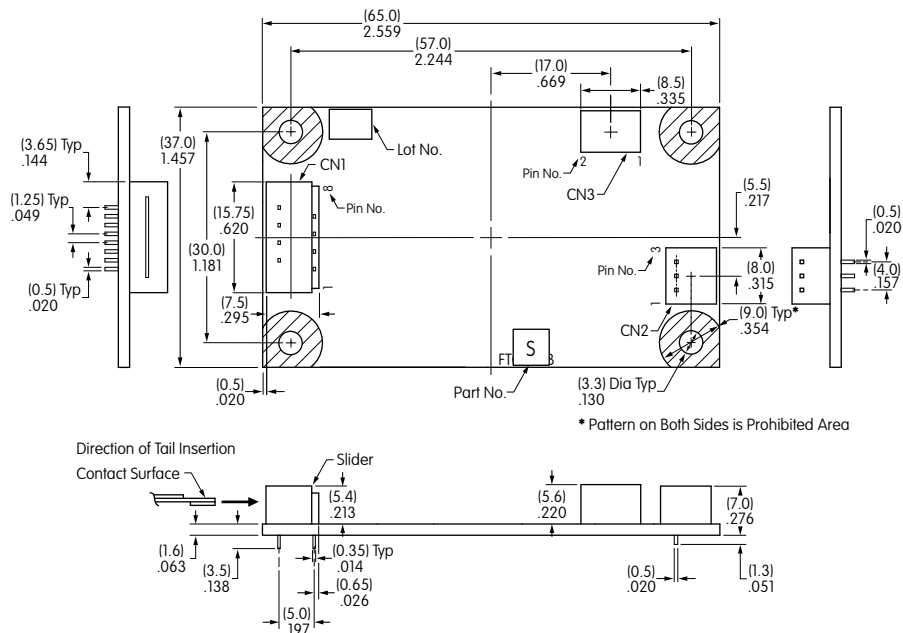
FT Series

Discontinuation & Replacement of Controller Boards for FT Series Touch Screens

FTCS04A & FTCS04A2
Discontinued



FTCS04B
Alternate



NKK SWITCHES CO., LTD. <http://www.nkk.com> E-mail: nkkswitches@nkkswitches.co.jp

715-1 Unane, Takatsu-ku, Kawasaki-shi, 213-8553 Japan TEL: +81 44 813 8001 FAX: +81 44 813 8031